

hiqmar

Operating instruction
EF18Li/EP18Li

Please read the instructions carefully
before using the product

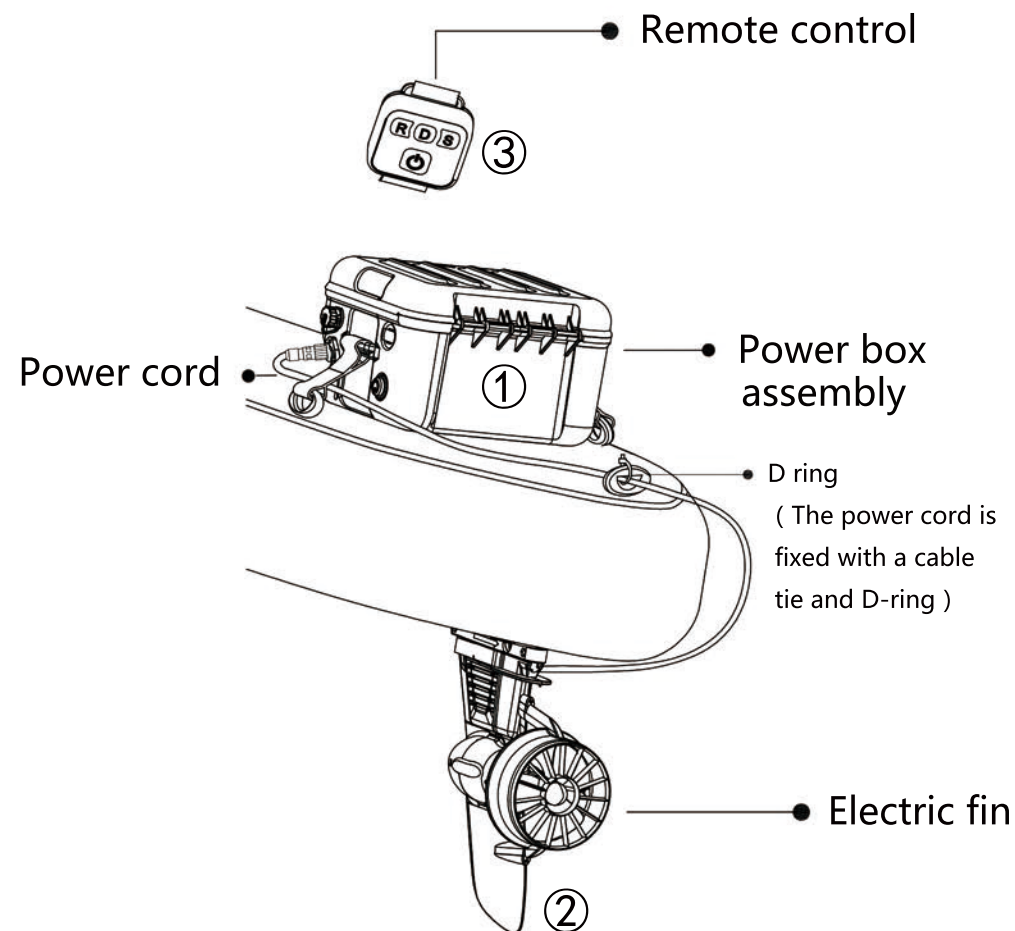
Contents

- Statement
- Quick illustration
- User' s guide
- symbol
- product identification number
- 1. Important safety precaution
- 2. Product overview
 - 2.1 Inside the package
 - 2.2 Parts and exploded diagram
 - 2.3 Technical parameters
 - 2.4 Certification statement
- 3. assembly
 - 3.1 Installing the fin
 - 3.2 Installing the battery
 - 3.3 Connecting the fin and the battery
 - 3.4 Putting on the remote
- 4. Operation
 - 4.1 Use of battery
 - 4.1.1 Battery charger
 - 4.1.2 Turning the battery on and off
 - 4.1.3 Charging the battery
 - 4.2 Usage of remote control
 - 4.2.1 Use of remote control
 - 4.2.2 Controlling the fin
- 5. Removing the fin
- 6. Transport and storage
 - 6.1 Transport
 - 6.2 Storage
- 7. Daily maintenance
- 8. Warranty
 - 8.1 Warranty clause
 - 8.2 Invalidation of Warranty
 - 8.3 Quality assurance application process

Statement

Thank you very much for your trust and support towards us and for choosing our products!

Quick illustration



USER'S GUIDE

Please read manual completely before using this product.

indicates that you have agreed that you have fully read and understood the concerns of the manual. Our company is not responsible for any damage or injury caused by operating in violation of the manual. Due to continuous improvement of the product, our company reserves the right to continuously adjust the content of this manual.

At the same time, intellectual property and industrial property rights are preserved, including copyrights, patents, trademarks, graphics and designs, etc. This manual may be modified without notice. If you find that the manual and the product are inconsistent or have any questions, please contact our company immediately. Our company reserves the right of final interpretation of this manual.

1. Important safety instructions before using the product

- a. The user is healthy and can swim and paddle.
- b. Before getting on the board, ensure that the life jacket is on, and the foot ropes are tied up during the cruise.
- c. You must bring a paddle on board.
- d. Only adults who have thoroughly read and understood the manual can operate this product.
- e. Check the status and function of the product before use to ensure that all components are in good condition.
- f. Before operation, make sure that the fin is securely fixed to the bottom of the paddle board.
- g. Make sure to test if the remote control is working or not.
- h. Familiarize yourself with all aspects of the operation of the product.
- i. Before using the product, please check the boat regulations of the area.
- j. Observe the surrounding environment in advance to avoid unfavorable conditions, such as strong winds, big waves, currents, rapids, etc.

When operating the product

- a. Do not rotate the fin in shallow water or away from the surface. Only use it in deep enough water and avoid all obstacles.
- b. During the operation, please follow the correct operation instructions in this user manual.
- c. Put the remote control on your wrist or paddle like a watch, for easy control.
- d. If swimmers or other boats are close to the paddle board, do not run the fin.
- e. In an emergency, immediately press the stop button on the remote control.

- f. Observe local water safety rules and boating regulations when using the product.
- g. Don't run this product under the influence of alcohol or drugs.
- h. Before removing the fin on the paddle board, close the battery box assembly.
- i. Please make sure that the power cord has been tightened before use, otherwise it may cause serious damage to the product during operation.

Daily maintenance:

- a. Do not operate this product outside of water. That might damage product and can cause injury. If the user is running the fin in air, it will immediately slow down after 5 seconds to protect itself. do not approach the running propeller.
- b. Do not disassemble or repair the product by yourself or by any unauthorized third party.
- c. Keep away from flammable gases, corrosives and other dangerous substances.
- d. Store in a dry and ventilated place, avoid direct sunlight/rain, and store away from hazardous materials.
- e. Pay attention to battery safety, operate correctly, and avoid short circuit, overheating, overcharging, and over discharging. Do not drop the battery.
- f. The standard charger is specially designed for batteries. Other chargers may cause shortened running time, premature battery failure, or even start a fire or explosion.
- g. Wash the electric fins with clean water after each use.

2. Product overview

This product is a set of electric fin kits designed for paddle boards, which can be inserted into the slots of two tail fins, and it includes electric tail fin, battery box assembly and remote control.

2.1 inside the package

Open the package and check if there is any damage during the shipping process. Please check all the parts in the package according to the following list. If there is any damage or missing parts during transportation, please contact your dealer immediately.

2.2 Please refer to Page 13 and Page 14

2.3 Power:160w Max thrust:18pound

Max speed: 7.5km/hr

Run time: 1.5-2hrs at full speed (S shift)

4.5-5hrs at half speed (D shift)

remote controller: max control distance: 5m

max stand-by time: 2 years

e-fin carton size : 45*43.5*12cm

e-fin carton weight: 2kg

Battery: 288wh

Battery voltage: 25.6v

Continuous current: max. 18A

Charge voltage: 29.4v

Charge time: 4hrs

battery carton size: 23.5*19.5*16.5cm

battery carton weight: 3.95kg

2.4 Please refer to Page 12

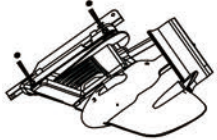
3. Assembly

3.1 This product has two kinds of tail fin adapters, which can fit most of the paddle boards.

3.2 Before installing the electric fin on the paddle board, please make sure that the paddle board must be strong enough to hold the electric tail fin and its battery box assembly.

3.2.1 Installation with standard adapter.

a. Install with 9 inch shark fin bracket.

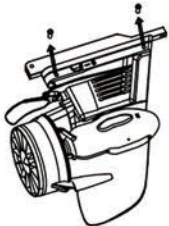


Fix the 9-inch shark fin bracket on the electric fin with screws and nuts. Note: Put the hexagonal nut into the hexagonal groove to prevent it from falling off.

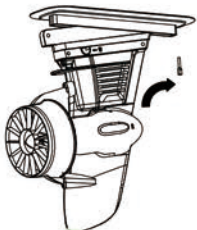


Finally, lock the shark fin pin. Note: The pin must pop out to be fully locked.

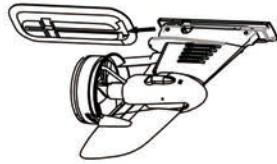
b. Install with sliding shark fin bracket



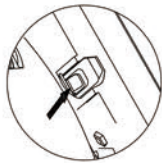
Fix the sliding shark fin bracket to the electric fin with screws and nuts.



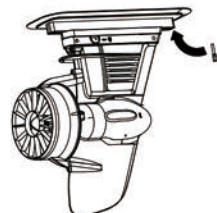
Finally, fix the electric fins with screws.



Slide the electric fin into the tail fin box, make sure the propeller is facing the tail of the paddle.



Slide the electric fin into the tail fin box, make sure the propeller is facing the tail of the paddle.



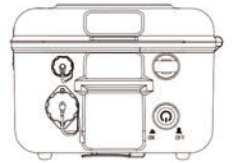
Note: Do not forcefully insert the adaptor into the tail fin box. If the adaptor cannot enter the tail fin box smoothly, please slide it out and check whether the insertion direction is correct. The propeller should face the tail of the paddle board. Make sure that the tail fin box is clean before installing the electric fin.

3.3 Install and fix the battery box assembly

a. Installing the battery box assembly on the paddle board

b. There are two ways to install the battery on the paddle board. For paddle boards with elastic cords, just tie the battery box assembly with elastic cords. For paddle boards without elastic ropes, fix 4 D-shaped rings first, and then install elastic nets.

c. Before installing the battery, please turn off the power switch of the battery box assembly. The button under the red waterproof cap will pop out if it's closed.



3.4 Connecting the battery box assembly to the fin(s)

When the electric fins are firmly installed, turn the paddle board over, insert the power cable connector into the output port of the battery, and fix the power cable on the paddle board with Velcro.

Note: Do not let the fins hit the ground or other objects when turning the paddle board. Before connecting the fins, make sure that the battery is turned off and all connectors are dry.

3.4 Putting on the watch remote

Our watch remote can be worn on the hand and is very easy to operate. Ensure that it is firmly worn on the hand and avoid falling into the water.

If the remote control accidentally falls into the water, the wireless signal will disappear.

4. Operation

In order to operate the electric fin, it is important to understand how to use the battery box assembly and the remote control. Please read the following chapters carefully before operating the product.



4.1 Using the battery box assembly

4.1.1 Charging the battery box assembly

4.1.2 Important precautions before charging

a. Only the charger provided can be used to charge the battery box assembly, and no other chargers can be used.

b. The battery box assembly can only be charged at 0-45 degrees Celsius (32-113 degrees Fahrenheit)

- c. Avoid contact with water during charging.
- d. Do not overcharge.
- e. When charging, keep the battery away from flammable materials like gasoline/rugs.
- f. In case of emergency, stop charging immediately.

Please follow the instructions below to charge.

- 1) Turn off the power of the battery box, then disconnect the power cord connected to the fin.

Remove the battery box from the paddle board and place it in a dry and safe place

- 2) Insert the output interface of the charger into the input interface of the battery, then tighten the interface knob.

- 3) Insert the plug of the input end of the charger into a safe power socket

- 4) When you start charging, the LED indicator on the charger should turn red

- 5) When fully charged, the LED indicator on the charger will turn green, so please unplug the charger to prevent overcharging

- 6) Warning :

- 1) Due to self-discharge during transportation and storage, it is recommended to fully charge the battery before each use

- 2) It takes about 4 hours to charge a battery at 0%

4.1.3 Use of battery box

Press the red waterproof power switch, the switch is in the on state when it is recessed, and it is in the off state when the switch is raised.

- b. There is a control receiver board in the battery box assembly. If you need to code with the remote control, please do as follows:

Press the button on the receiving board of the remote control for 1 second, the indicator light will light up, release the button after it lights up, press any button on the remote control,

The indicator light flashes once, indicating that the remote control information is successfully received, and the pairing is completed. After the indicator light is off, the remote control can be

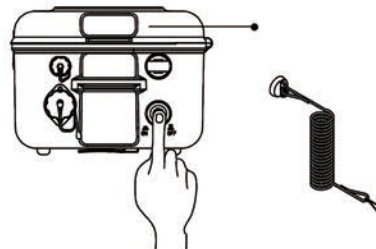
used to control the fins. When pairing, pay attention to maintaining unity, and you cannot press multiple remote controls at the same time, otherwise the receiver will pair multiple remote controls at the same time, and there will be confusion.

- c. If the abnormal shutdown occurs during use, after getting rid of trouble (such as water weed entangled propellers), please restart the switch and the battery.

- d. Be sure to install a safety switch rope when using electric fin.

4.2 Usage of remote control

Note: Before turning on the remote control, please make sure that the fins are firmly installed on the paddle board.



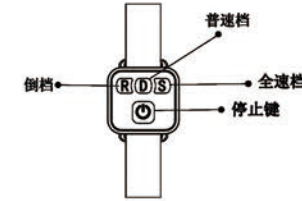
- a. In an emergency, immediately press the red stop button to stop the fins to ensure safety.
- b. Also turn off the remote when there are people or physical objects nearby.
- c. Do not turn on the remote control in the air to start the propeller. Once it is operated by mistake, the propeller will automatically enter the low-speed protection state

4.2.2 Controlling the electric fin

- a. D-gear: normal cruising gear

- b. S-gear : full speed gear

- c. R-gear: reverse gear



Warning :

- a. Turn on D-gear before S-gear to ensure safety.

- b. Always stay away from other people and objects, or turn remote to D or R-gear or just turn the remote off

- c. After confirming that the water depth is more than 0.5 meters and there are no obstacles such as rocks or weeds in the water, then turn on the D-gear.

- d. Avoid running into underwater hard objects during sailing to prevent personal injury or damage to the fins

- e. After the person gets on the paddle board, turn on the D or R gear to prevent the paddle board from running out of the remote control signal range and hitting people or hitting the shore.

- f. If a person falls into the water, please turn off the remote control immediately to prevent the paddle board from running out of the remote control signal control range, hitting people or hitting the shore

- g. Please use electric fins in accordance with local water or maritime regulations

5. disassembling the fin and the battery box assembly

After use, please follow the correct procedure to remove the fin and battery box assembly.

Instructions :

- a. First, remove the battery box assembly from the paddle board according to the following procedure

- b. Turn off the power switch of the battery box assembly first, the switch inside the red waterproof button will pop up

- c. Untie the battery box assembly and the power cable

- c. Take the battery box assembly and put it in a safe and dry place, then turn the paddle board over and lay it flat

Remove the 9-inch shark bracelet from the caudal fin slot according to the following procedure

- a. Pull out the fixed pin on the fin from the slot hole

- b. Slide the electric fin out of the caudal fin slot

- c. Clean the electric fins with clean water

remove the sliding fin from the caudal fin slot according to the following procedure

- a. Unscrew the screws on the sliding shark fin holder
- b. Slide the electric fin out of the caudal fin slot.
- c. Screw the nuts and screws in the socket together, and wash the fins with clean water.

6. transportation and storage

6.1 Transportation: Before long-distance transportation, please pack the product in the original packaging before shipping.

important procedure before shipping :

- Check to make sure that the packaging is intact.

Avoid violent vibration, impact or pressure during transportation. Adequate anti-vibration protection measures shall be taken before transportation. Do not expose the battery box assembly to sunlight or rain during transportation.

Check applicable laws and regulations before shipping.

6.2 Storage: If you will not use electric fin for a long time, it is recommended to clean and inspect the machine before storage.

•It is recommended to store the electric fin with its original packaging. Important notes before storage:

- Before storing the product in the packaging, make sure that every part of the product is dry.
- Obtain adequate quakeproof protection before storage.
- Store the battery box assembly in a clean, dry and well-ventilated place, away from direct sunlight.
- Avoid contact with corrosive substances, which may cause permanent damage, weaken or destroy the plastic of the electric fin.
- Keep the battery box assembly away from any sources of fire, sparks, open flames or heat.
- The battery box assembly must be fully charged before use after long-term storage.

7. Daily maintenance

Operating environment (such as temperature, humidity, dust, etc.), aging and wear of internal components, etc., will affect the performance of the product.

- Frequent maintenance is very important to keep the fins in the best operating condition
- It is recommended to remove the electric fins from the water after use.
- Regularly check whether the power cord is damaged.
- Charge the battery box assembly after each use.
- Do not run electric fins in the air or shallow water.
- Do not operate electric fins in waters with thick sediments.
- It is recommended to clean the electric fin with clean water after each use.
- It is recommended to clean the adapter after each use, do not drop the battery box assembly and avoid prolonged exposure to direct sunlight/rain.
- If the battery box assembly is not sufficiently charged, please stop discharging the battery box

assembly and charge it as soon as possible.

- Before using for the first time or after long-term storage, please fully charge the battery assembly to achieve the best performance.
- Only use the standard charger specially designed for the battery box assembly. Other chargers may cause shortened running time, premature battery failure, and even fire or explosion.
- Please use the battery box assembly at a moderate temperature to avoid negative effects on battery life and effective usage caused by extreme temperatures.
- Once a malfunction occurs, please deal with it in time to avoid greater losses. If necessary, please consult an authorized dealer for repairs or replacement parts.
- Always follow the instructions in this user manual.

8. warranty

The limited warranty is provided to the first end purchaser of the product. Consumers have the right to repair or replace defective parts or parts that do not comply with the sales contract free of charge. In addition to the statutory rights provided by your local consumer law, this warranty clause is also valid.

8.1 Warranty policy: guarantee that its products are free of defects in materials and workmanship for a limited time from the date of purchase. Once a fault is found, the user has the right to file a warranty claim in accordance with the warranty policy.

Product warranty expiration date:

Within one year from the date of purchase.

Three months for repaired/replaced parts.

The remote control of the watch can stand by for up to two years from the day it leaves the factory, and it needs to be repurchased after the internal battery is exhausted.

Note: 1. If the three-month period is within the warranty period of the original product, The repair/replacement warranty period will still expire after one year from the date of purchase.

2. If the three-month period exceeds the warranty period of the original accessory product, the repaired or replaced accessory will continue to be covered by the warranty during the extended period. In order for the warranty to take effect, the user needs to fill in the warranty card in advance.

Keep the product label intact and record the serial number on the warranty card. Do not remove the label of the product. Products without the original product label will not be eligible for the provided warranty service.

The warranty is valid only when the information on the warranty card is filled in correctly and completely. The free warranty only takes effect when the legal serial number is presented

The dealer shall determine the effective purchase date. With original sales slip. The free warranty is non-transferable and will not be reissued.

8.2 Invalidation of warranty

Ensure that the product is properly packaged during delivery. It is recommended to use the original product packaging. If the product is further damaged due to improper packaging during delivery, the further damaged part will be deemed to be out of warranty. In addition, during the warranty period, failures or damages caused by the following reasons are not covered by the warranty :

- Any improper operation inconsistent with the user manual.
- Accidents, misuse, intentional abuse, physical damage, overcharging, or unauthorized repairs.
- Improper drop, care or storage.

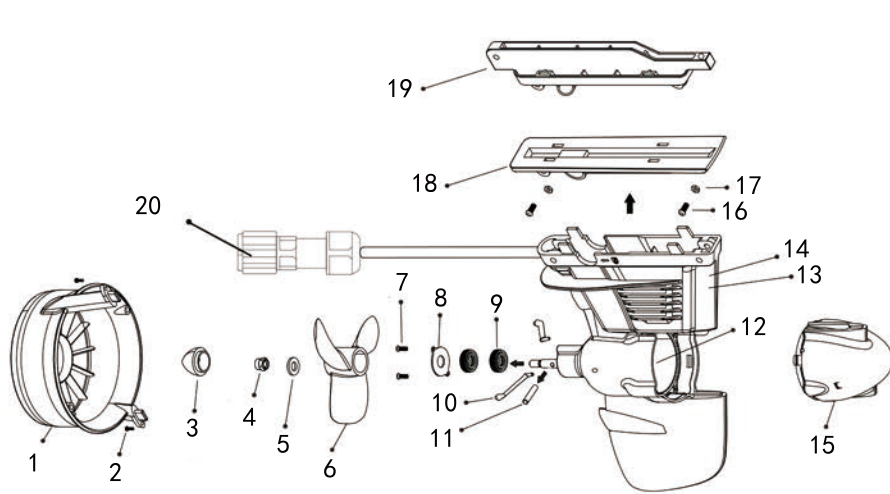
Please note that minor malfunctions that do not affect the expected function of the product, such as normal wear and tear, are not covered by the warranty. Consumables are not covered by the warranty.

8.3 Warranty claim procedure: If you find that your product is defective, you can follow the procedure below to make a claim to the dealer:

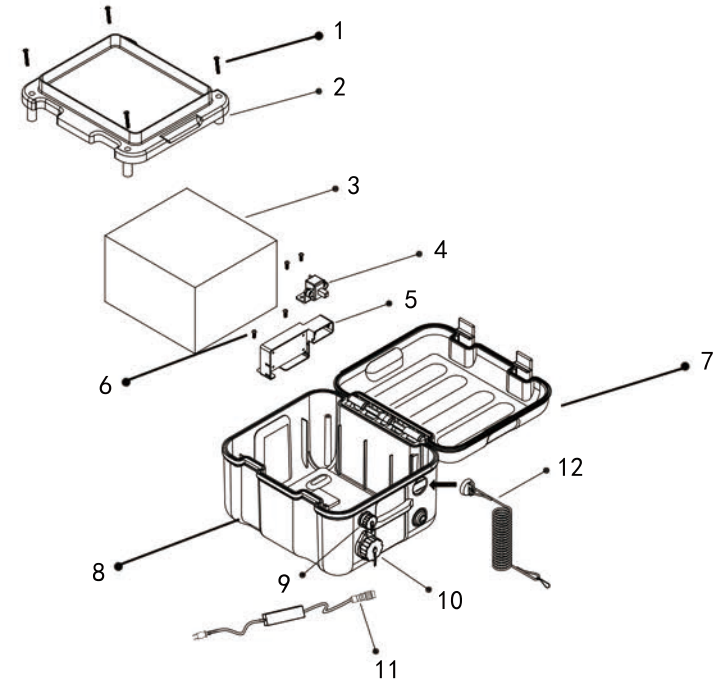
1. Fill in the warranty card correctly and completely in advance. Then send the warranty claim together with a valid proof of purchase to your authorized service partner. These documents are usually required when making a warranty claim. For example: Warranty card, factory serial number and proof of purchase.
 2. After confirmation, send the defective product to your authorized service partner. Please note that the label should remain intact. You can also deliver the product to your authorized distributor after confirmation.
 3. Defective parts will be repaired or replaced based on the diagnosis of authorized service partners.
 4. If your warranty claim is accepted, we will repair or replace the device free of charge.
 5. After careful inspection and confirmation by authorized dealers, defective or malfunctioning parts will be repaired or replaced according to actual conditions.
 6. If your warranty claim is rejected (please refer to the out-of-warranty policy), we will send an estimated repair cost including freight for confirmation. Authorized service partners will perform corresponding maintenance only after you confirm.
- After the warranty period expires, you can still enjoy the maintenance services provided by authorized service partners and charge the corresponding maintenance fees.

Certification





Number	coding	Product name	Amount
1	LD. SPJ. 0002	EF18Li propeller protector	1
2	LD. WJJ. 0003	Internal Hexalobular Socket Pan Head Self-tapping Flat Tail Screw M2.6*8	2
3	LD. SPJ. 0001	Stainless steel round flat	1
4	LD. WJJ. 0001	M5 Locknut	1
5	LD. WJJ. 0002	gasket Φ5.5*10*1.6mm	1
6	LD. SPJ. 0003	EF18Lipropeller	1
7	LD. WJJ. 0005	Internal Hexalobular socket pan head tapping flat tail screw M2.2*6.5	2
8	LD. WJJ. 0006	EF18Li oil seal press	1
9	LD. SPJ. 0005	EF18Li fluorine rubber shaft seal8*16*5TC	2
10	LD. SPJ. 0004	Stainless steel cylindrical pin Φ2.5*14	2
11	LD. WJJ. 0004	EF18Li SUP thruster motor	1
12	LD. DPJ. 0001	EF18Li electric fin body bracket	1
13	LD. SPJ. 0006	E-fin main body bracket	1
14	LD. DPJ. 0002	EF18Li drive circuit board (built-in water-cooled heat sink)	1
15	LD. SPJ. 0009	EF18Li motor housing	1
16	LD. WJJ. 0008	Hexagon socket screw Φ4*22	2
17	LD. WJJ. 0009	M4 Stainless Steel Hexagon Lock Nut	2
18	LD. SPJ. 0010	9 inch shark fin holder	1
19	LD. SPJ. 0011	Sliding shark fin holder	1
20	LD. DPJ. 0004	EF18Li aviation waterproof five-hole socket	1



Number	coding	Product name	Amount
1	LD. WJJ. 0016	Inner Hexalobular socket pan head tapping flat tail screw 3*16	4
2	LD. SPJ. 0020	EF18Li battery box inner cover	1
3	LD. DPJ. 0006	Lithium iron phosphate battery	1
4	LD. DPJ. 0011	switch	1
5	LD. SPJ. 0025	EF18Li circuit board mounting box	1
6	LD. WJJ. 0022	Internal hexalobular socket countersunk head tapping flat tail screw 2.9X10	4
7	LD. SPJ. 0018	EF18Li battery box upper cover	1
8	LD. SPJ. 0019	EF18Li battery box lower shell	1
9	LD. DPJ. 0008	EF18Li aviation waterproof two-hole socket	1
10	LD. DPJ. 0004	EF18Li aviation waterproof five-hole socket	1
11	LD. DPJ. 0007	Lithium battery charger	1
12	LD. SPJ. 0023	EF18Li safety switch spring rope assembly (including strong magnetic base)	1